

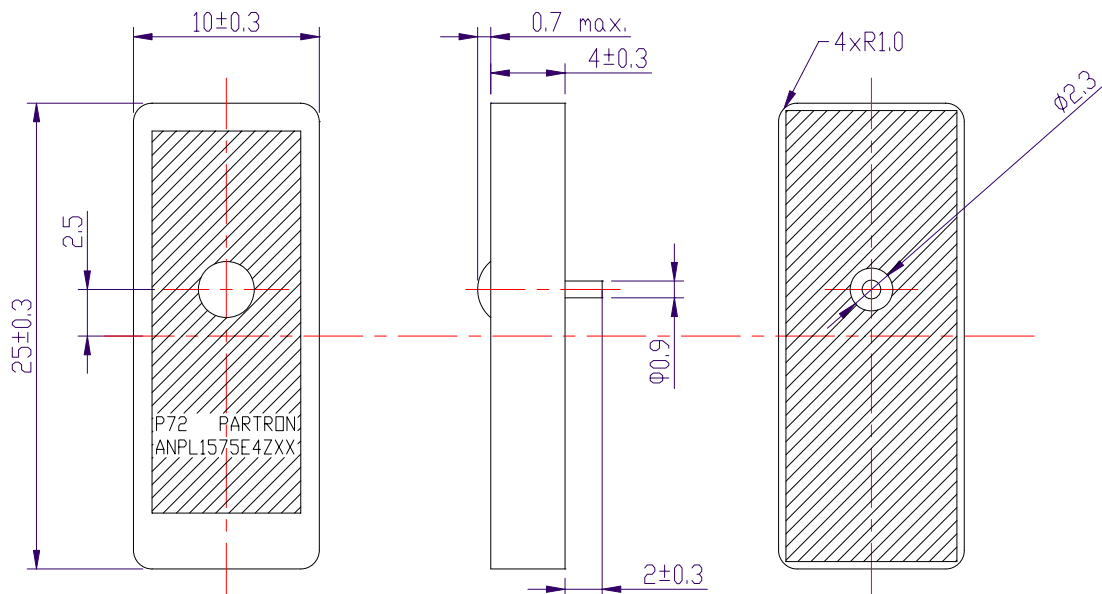
- Item: Dielectric Patch Antenna Element for GPS L1 Band
- Part Number: ANPL1575E4Z XX



■ Electric Specification

| ITEM | SPECIFICATION | UNIT | CONDITIONS |
|------------------------|---------------|----------|-----------------------|
| Outline Dimension | 25x10x4 | mm | |
| Center frequency | 1575.42 | MHz | @58x19mm Ground Plane |
| Bandwidth | 6.0 | MHz typ. | @ V.S.W.R 2.0:1 |
| Gain at Zenith | +2.8 | dBi typ. | @58x19mm Ground Plane |
| Impedance | 50 | Ω | |
| Polarization | Linear | | |
| TemperatureCoefficient | 20 | ppm/°C | -40°C to +85°C |

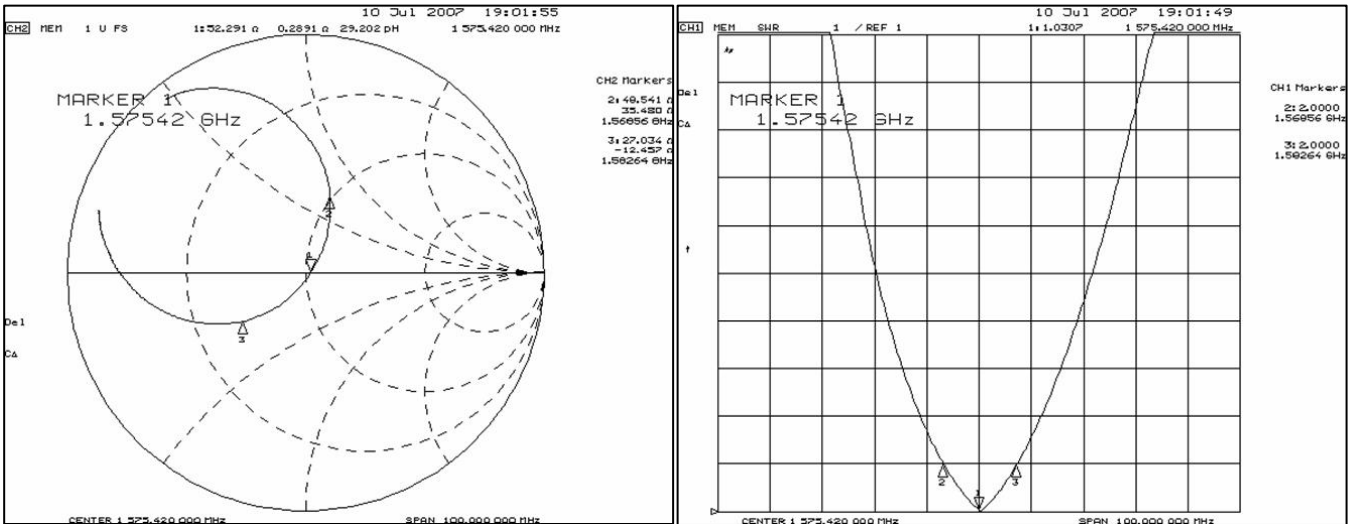
■ Dimension



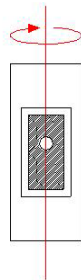
Unit: mm

■ Typical Characteristics

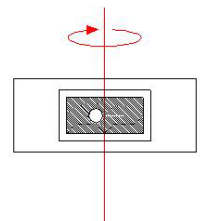
-Smith Chart & V.S.W.R.



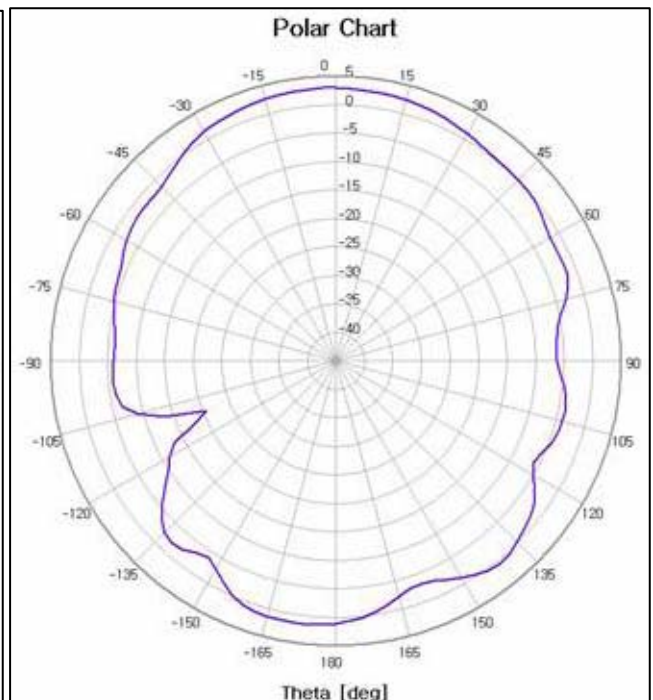
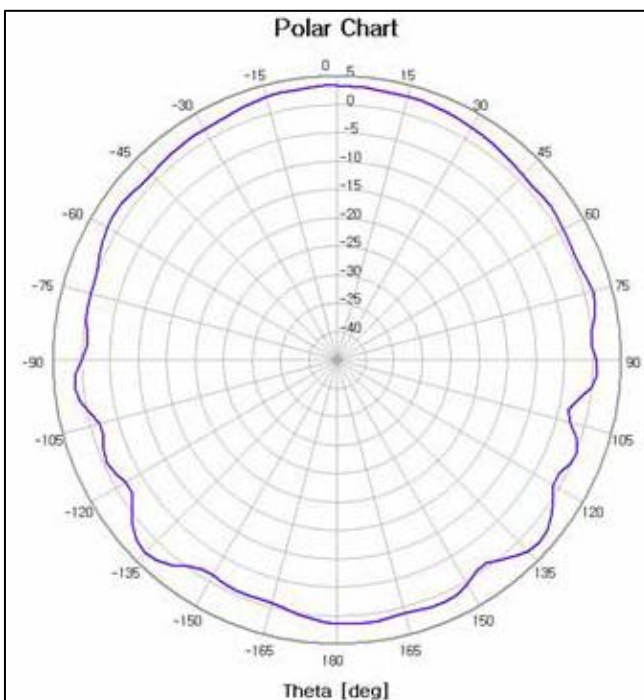
-Radiation Pattern



Source Horn ant: vertical

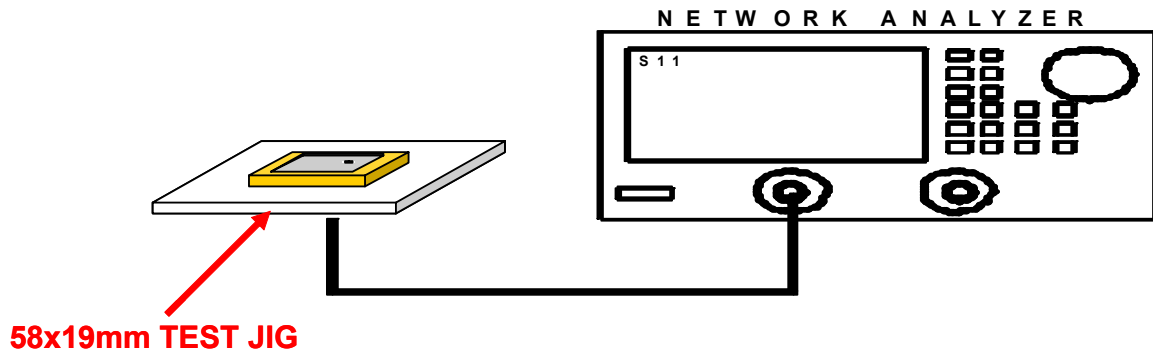


Source Horn ant: horizontal



■ Measurement condition

S-parameter and V.S.W.R. (Return Loss) measurement



Gain measurement

