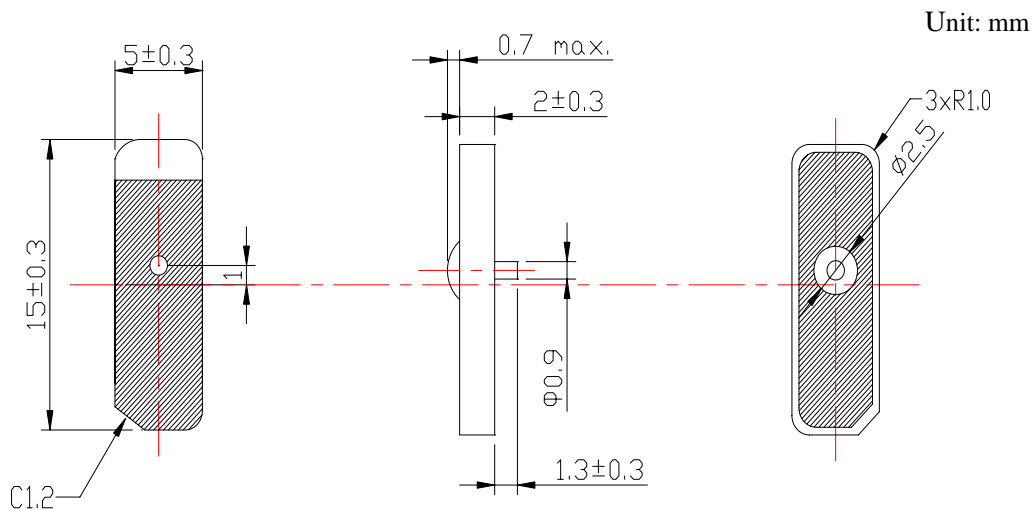


- Item: Dielectric Patch Antenna Element for GPS L1 Band
- Part Number:

■ Electric Specification

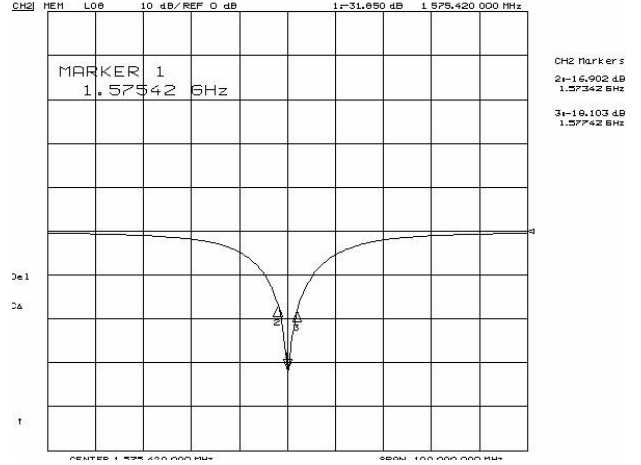
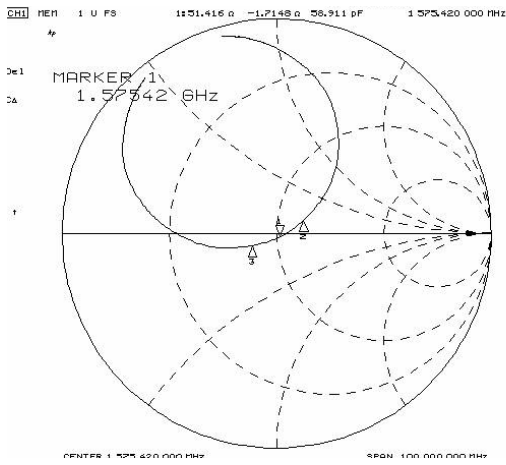
ITEM	SPECIFICATION	UNIT	CONDITIONS
Outline Dimension	15x5x2	mm	
Center frequency	1575	MHz	@35x35mm Ground Plane
Bandwidth	8.0	MHz typ.	@ -10dB Return Loss
Gain at Zenith	-5	dBi typ.	@35x35mm Ground Plane
Axial Ratio		dB typ.	@ Center frequency
Impedance	50	Ω	
Polarization	Linear		
TemperatureCoefficient	20	ppm/°C	-40°C to +85°C

■ Dimension

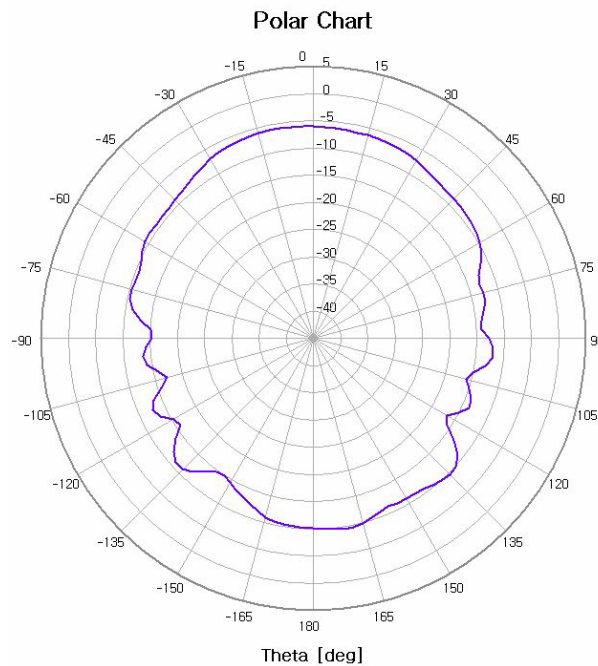
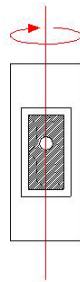


Typical Characteristics

-Smith Chart & Return Loss

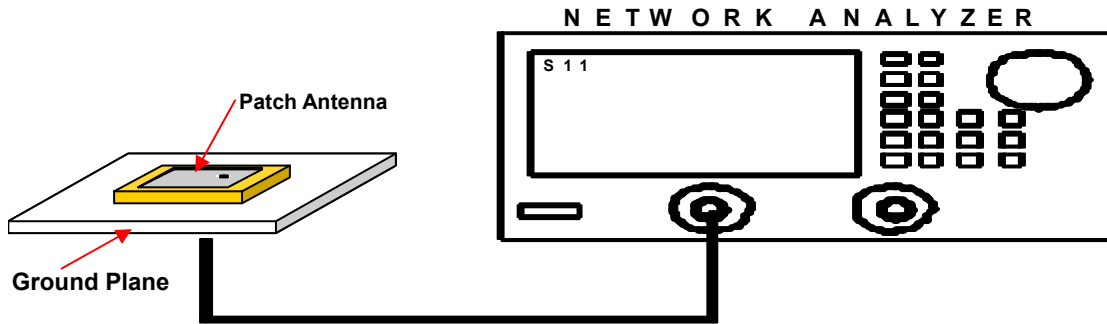


-Radiation Pattern



■ Measurement condition

S-parameter and Return Loss(VSWR) measurement



Gain measurement

