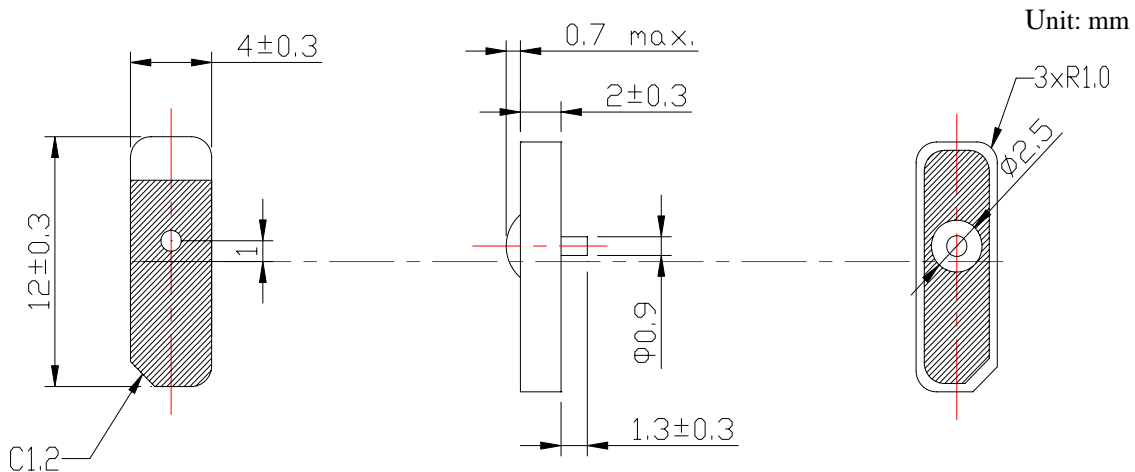


- Item: Dielectric Patch Antenna Element for GPS L1 Band
- Part Number:

■ Electric Specification

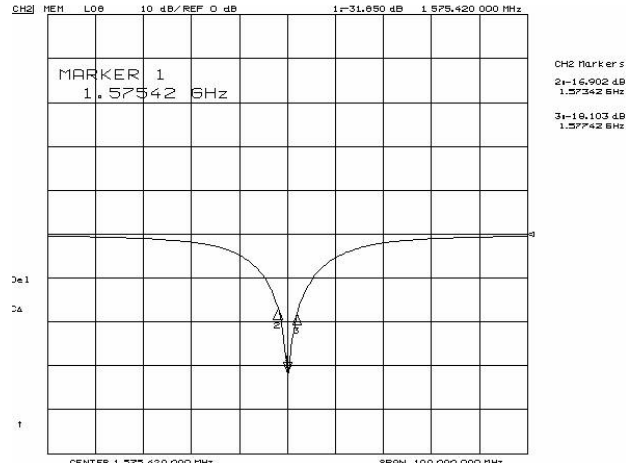
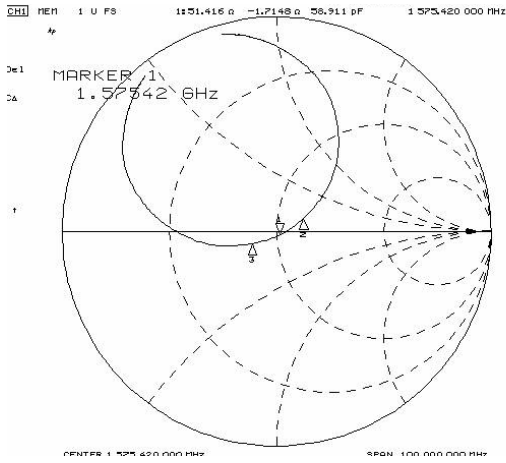
ITEM	SPECIFICATION	UNIT	CONDITIONS
Outline Dimension	12x4x2	mm	
Center frequency	1575	MHz	@35x35mm Ground Plane
Bandwidth	7.0	MHz typ.	@ -10dB Return Loss
Gain at Zenith	-7	dBi typ.	@35x35mm Ground Plane
Axial Ratio		dB typ.	@ Center frequency
Impedance	50	$\Omega$	
Polarization	Linear		
TemperatureCoefficient	20	ppm/°C	-40°C to +85°C

■ Dimension

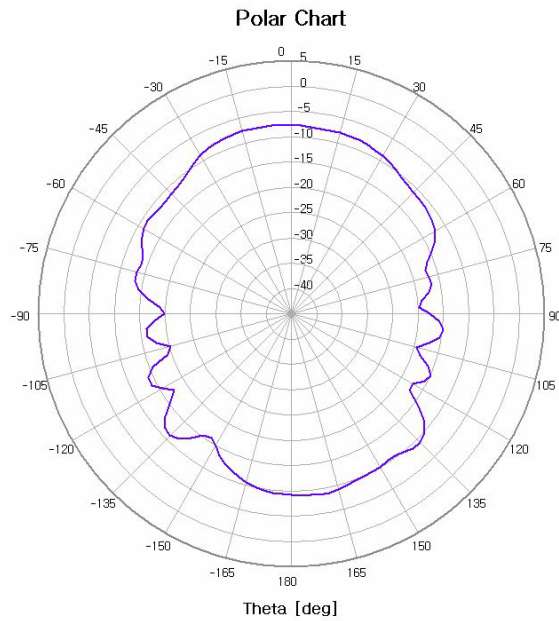
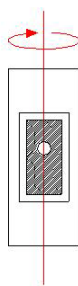


# Typical Characteristics

## -Smith Chart & Return Loss

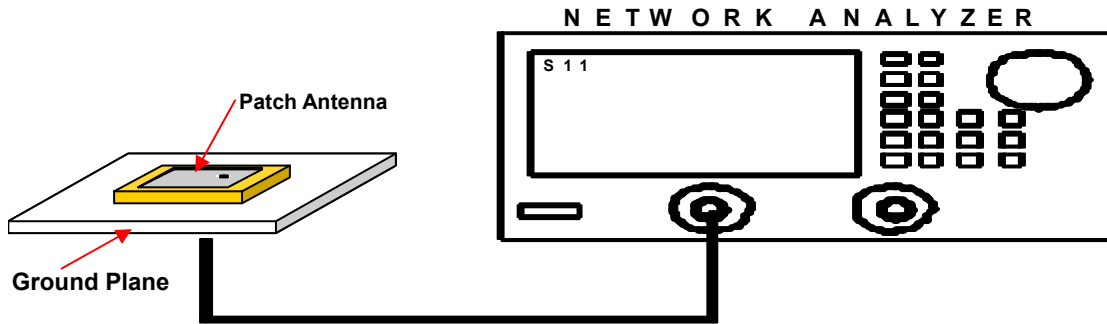


## -Radiation Pattern



## ■ Measurement condition

### S-parameter and Return Loss(VSWR) measurement



### Gain measurement

