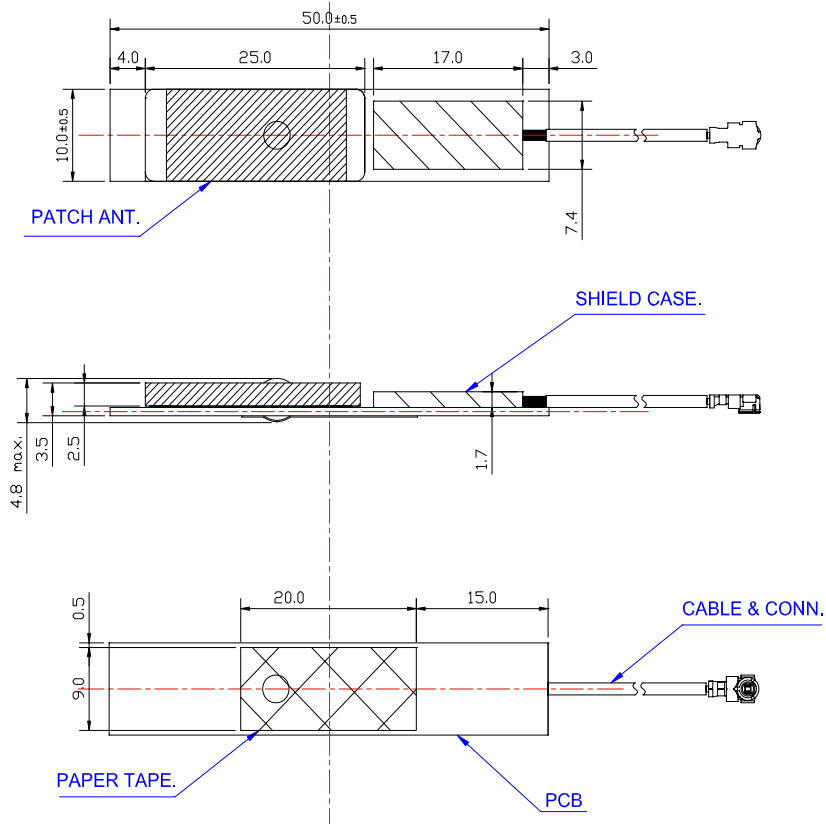


PARTRON GPS Active Ant.

Ver 1.0_01-JAN-08

■ P/N : **MAGBC103** series

■ MECHANICAL DIMENSION (unit : mm)



■ ELECTRICAL CHARACTERISTICS

	ITEM	Spec.	Remark
Antenna	1) Operating frequency	1575.42 ± 1.023 MHz	
	2) Gain @ Zenith	0 dBi typ.	@ 57x18mm PLANE
	3) Polarization	Linear Polarization	
	4) Size	25x10x2.5t mm	
LNA	5) Operating frequency	1575.42 MHz ± 5MHz	
	6) Gain	12 / 15 / 18 / 25 dB typ.	
	7) Noise Figure	2.0 dB max.	@ normal temperature
	8) Outband Rejection	20 dBc typ. 30 dBc typ.	@ fc + 100MHz @ fc - 100MHz
	9) Output V.S.W.R	2.0 : 1 max.	
Overall	10) Overall Gain	12 / 15 / 18 / 25 dBic typ.	Includes cable loss
	11) Operating Voltage	3.0 Vdc	± 0.3V
	12) Consumption Current	10mA typ.	
	13) Size	50x10x4.8 mm	Changeable mechanical & electrical spec by user request
	14) RF Cable	RF coaxial Φ0.8, 1.13, 1.3	
	15) RF Connector	Hirose / I-pex / Giga-lane	



PARTRON GPS ANTENNA LAB.

22-6, Seokwoo-dong, Hwaseong-si, Gyeonggi-do, Korea 445-170

Tel. 82-31-201-7700 | Fax. 201-7800 | www.partron.co.kr