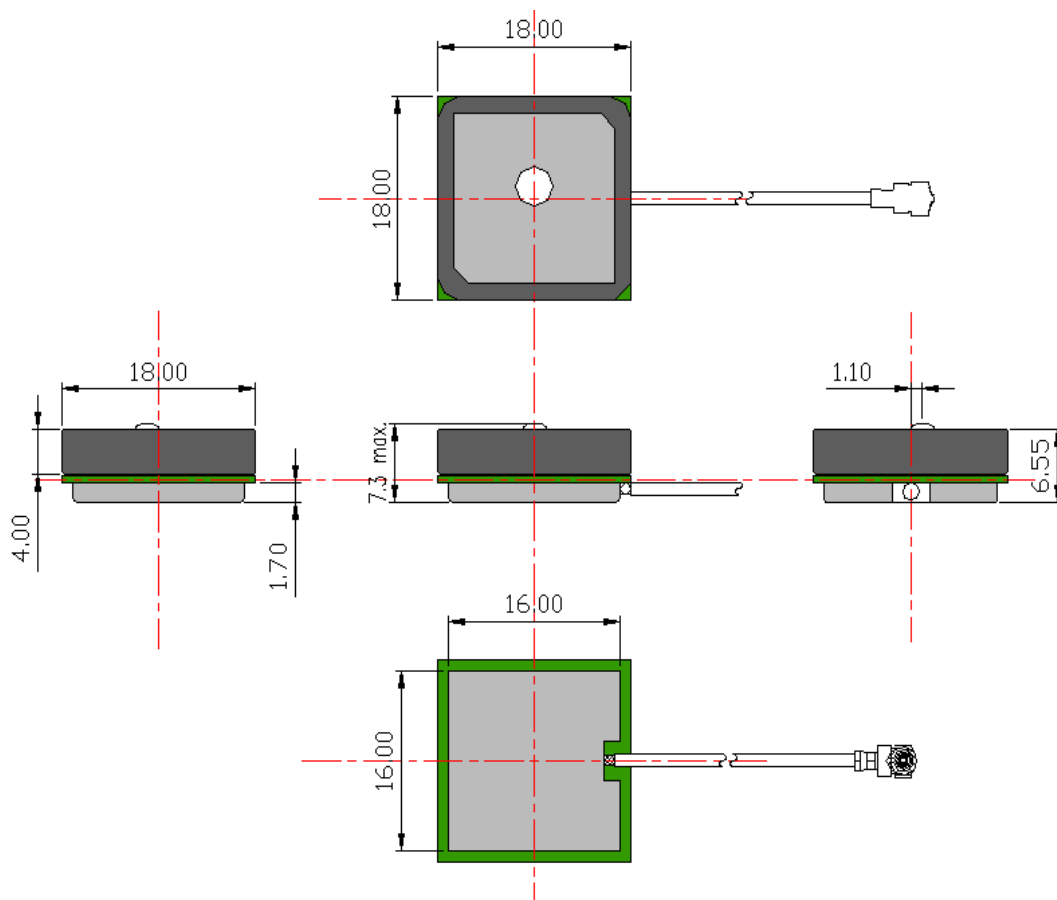


■ P/N : **MAGB1803** series

■ MECHANICAL DIMENSION (unit : mm)



■ ELECTRICAL CHARACTERISTICS

	ITEM	Spec.	Remark
Antenna	1) Operating frequency	1575.42 ± 1.023 MHz	
	2) Gain @ Zenith	3.0 dBc typ.	@ 50x50mm Ground plane
	3) Polarization	R.H.C.P	
	4) Size	18x18x4 mm	
LNA	5) Gain	12 / 15 / 18 dB	Changeable by user request
	6) Noise Figure	1.0 dB typ.	@ normal temperature
	7) Outband Rejection	20 dBc min.	@ fc ± 100MHz
	8) Output V.S.W.R	2.0 : 1 max.	
Overall	9) Overall Gain	12~18 dBc	Includes cable loss
	10) Operating Voltage	3.0 Vdc	± 0.3V
	11) Consumption Current	3.6 mA typ.	
	12) Size	18x18x7.3 mm	Changeable mechanical & electrical spec by user request
	13) RF Cable	RF coaxial Φ0.8, 1.13, 1.3	
	14) RF Connector	Hirose / I-pex / Giga-lane	